

Adjustable Hand Levers

Stainless Steel, Matte Shot-Blasted, with Internal Thread / Fitting Bore, with Threaded Stud

SPECIFICATION

Types

- Type **AS**: With external hex
- Type **IS**: With internal hexalobular

Handle

Stainless steel precision casting AISI CF-8
Matte shot-blasted

Insert / Retaining screw

Stainless steel AISI 303

Pressure spring

Stainless steel AISI 301



INFORMATION

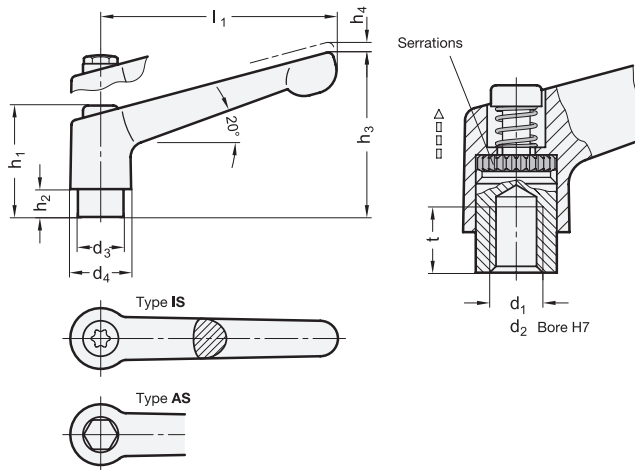
Adjustable hand levers GN 300.5 are ideal whenever parts have to be clamped in a confined space or in a particular lever position. The screw insert is connected to the handle via serrations and can easily be disengaged.

When the handle is lifted (pulled), the serration is released, and the hand lever can be relocated into any required position. When released, the handle engages again automatically.

The geometry of type AS is designed to prevent the accumulation of dirt and facilitates cleaning.

TECHNICAL INFORMATION

- ISO-Fundamental Tolerances (see page A21)
- Stainless Steel Characteristics (see page A26)



* Complete with

- AS** With external hex
- IS** With internal hexalobular

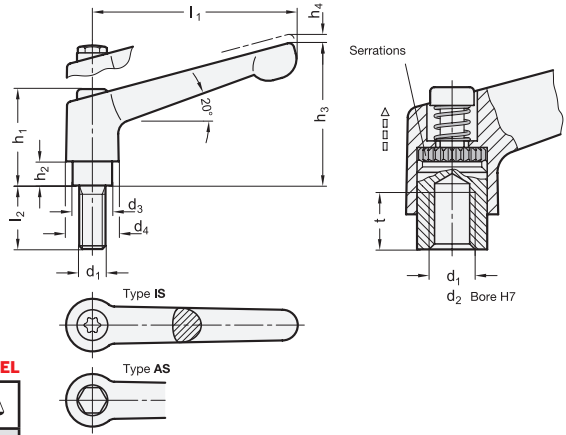
GN 300.5-With Internal Thread / Fitting Bore STAINLESS STEEL

Description	l1	d1	d2 H7	d3	d4	h1	h2	h3	h4 Stroke	t min.	⚖
GN 300.5-30-M3-*	30	M 3	-	10	13	24.5	4	31	3.5	8	30
GN 300.5-30-M4-*	30	M 4	-	10	13	24.5	4	31	3.5	8	30
GN 300.5-30-M5-*	30	M 5	-	10	13	24.5	4	31	3.5	8	28
GN 300.5-30-M6-*	30	M 6	-	10	13	24.5	4	31	3.5	8	29
GN 300.5-30-B5-*	30	-	B 5	10	13	24.5	4	31	3.5	8	24
GN 300.5-30-B6-*	30	-	B 6	10	13	24.5	4	31	3.5	8	24
GN 300.5-45-M4-*	45	M 4	-	10	13	24.5	4	34	3.5	8	41
GN 300.5-45-M5-*	45	M 5	-	10	13	24.5	4	34	3.5	8	39
GN 300.5-45-M6-*	45	M 6	-	10	13	24.5	4	34	3.5	8	40
GN 300.5-45-B5-*	45	-	B 5	10	13	24.5	4	34	3.5	8	35
GN 300.5-45-B6-*	45	-	B 6	10	17.5	24.5	4	34	3.5	8	35
GN 300.5-63-M6-*	63	M 6	-	13.5	17.5	31	6.5	45	4	11	91
GN 300.5-63-M8-*	63	M 8	-	13.5	17.5	31	6.5	45	4	11	76

GN 300.5-With Internal Thread / Fitting Bore STAINLESS STEEL

Description	l1	d1	d2 H7	d3	d4	h1	h2	h3	h4 Stroke	t min.	⚖
GN 300.5-63-B8-*	63	-	B 8	13.5	21	31	6.5	45	4	11	88
GN 300.5-78-B8-*	78	-	B 8	16	21	36	8	54	4	14	144
GN 300.5-78-B10-*	78	-	B 10	16	21	36	8	54	4	14	146
GN 300.5-78-M8-*	78	M 8	-	16	21	36	8	54	4	14	146
GN 300.5-78-M10-*	78	M 10	-	16	21	36	8	54	4	14	146
GN 300.5-78-M12-*	78	M 12	-	16	24	36	8	54	4	14	146
GN 300.5-92-M10-*	92	M 10	-	19	24	43	11	64	4	17	229
GN 300.5-92-M12-*	92	M 12	-	19	24	43	11	64	4	17	223
GN 300.5-92-B12-*	92	-	B 12	19	-	43	11	64	4	17	225

*Weight Type AS



* Complete with

- AS With external hex
- IS With internal hexalobular

GN 300.5-With Threaded Stud

STAINLESS STEEL

Description	l1	d1	l2	d3	d4	h1	h2	h3	h4	Stroke	⚖️
GN 300.5-30-M3-6-*	30	M 3	6	10	13	24.5	4	31	3.5	31	
GN 300.5-30-M3-8-*	30	M 3	8	10	13	24.5	4	31	3.5	31	
GN 300.5-30-M3-10-*	30	M 3	10	10	13	24.5	4	31	3.5	32	
GN 300.5-30-M3-12-*	30	M 3	12	10	13	24.5	4	31	3.5	32	
GN 300.5-30-M3-16-*	30	M 3	16	10	13	24.5	4	31	3.5	33	
GN 300.5-30-M4-12-*	30	M 4	12	10	13	24.5	4	31	3.5	31	
GN 300.5-30-M4-16-*	30	M 4	16	10	13	24.5	4	31	3.5	31	
GN 300.5-30-M4-20-*	30	M 4	20	10	13	24.5	4	31	3.5	32	
GN 300.5-30-M4-25-*	30	M 4	25	10	13	24.5	4	31	3.5	32	
GN 300.5-30-M4-32-*	30	M 4	32	10	13	24.5	4	31	3.5	32	
GN 300.5-30-M5-12-*	30	M 5	12	10	13	24.5	4	31	3.5	31	
GN 300.5-30-M6-12-*	30	M 6	12	10	13	24.5	4	31	3.5	32	
GN 300.5-30-M5-16-*	30	M 5	16	10	13	24.5	4	31	3.5	32	
GN 300.5-30-M6-16-*	30	M 6	16	10	13	24.5	4	31	3.5	33	
GN 300.5-30-M5-20-*	30	M 5	20	10	13	24.5	4	31	3.5	32	
GN 300.5-30-M6-20-*	30	M 6	20	10	13	24.5	4	31	3.5	33	
GN 300.5-30-M5-25-*	30	M 5	25	10	13	24.5	4	31	3.5	33	
GN 300.5-30-M6-25-*	30	M 6	25	10	13	24.5	4	31	3.5	34	
GN 300.5-30-M5-32-*	30	M 5	32	10	13	24.5	4	31	3.5	34	
GN 300.5-30-M6-32-*	30	M 6	32	10	13	24.5	4	31	3.5	36	
GN 300.5-30-M5-40-*	30	M 5	40	10	13	24.5	4	31	3.5	35	
GN 300.5-30-M6-40-*	30	M 6	40	10	13	24.5	4	31	3.5	37	
GN 300.5-30-M5-50-*	30	M 5	50	10	13	24.5	4	31	3.5	36	
GN 300.5-30-M6-50-*	30	M 6	50	10	13	24.5	4	31	3.5	38	
GN 300.5-45-M4-12-*	45	M 4	12	10	13	24.5	4	34	3.5	42	
GN 300.5-45-M4-16-*	45	M 4	16	10	13	24.5	4	34	3.5	42	
GN 300.5-45-M4-20-*	45	M 4	20	10	13	24.5	4	34	3.5	43	
GN 300.5-45-M4-25-*	45	M 4	25	10	13	24.5	4	34	3.5	43	
GN 300.5-45-M4-32-*	45	M 4	32	10	13	24.5	4	34	3.5	43	
GN 300.5-45-M5-12-*	45	M 5	12	10	13	24.5	4	34	3.5	42	
GN 300.5-45-M5-16-*	45	M 5	16	10	13	24.5	4	34	3.5	43	
GN 300.5-45-M5-20-*	45	M 5	20	10	13	24.5	4	34	3.5	43	
GN 300.5-45-M5-25-*	45	M 5	25	10	13	24.5	4	34	3.5	44	
GN 300.5-45-M5-32-*	45	M 5	32	10	13	24.5	4	34	3.5	45	
GN 300.5-45-M5-40-*	45	M 5	40	10	13	24.5	4	34	3.5	46	
GN 300.5-45-M5-50-*	45	M 5	50	10	13	24.5	4	34	3.5	47	
GN 300.5-45-M6-12-*	45	M 6	12	10	13	24.5	4	34	3.5	43	
GN 300.5-45-M6-16-*	45	M 6	16	10	13	24.5	4	34	3.5	44	
GN 300.5-45-M6-20-*	45	M 6	20	10	13	24.5	4	34	3.5	44	
GN 300.5-45-M6-25-*	45	M 6	25	10	13	24.5	4	34	3.5	45	
GN 300.5-45-M6-32-*	45	M 6	32	10	13	24.5	4	34	3.5	47	
GN 300.5-45-M6-40-*	45	M 6	40	10	13	24.5	4	34	3.5	48	
GN 300.5-45-M6-50-*	45	M 6	50	10	13	24.5	4	34	3.5	49	
GN 300.5-63-M6-16-*	63	M 6	16	13.5	17.5	31	6.5	45	4	95	
GN 300.5-63-M6-20-*	63	M 6	20	13.5	17.5	31	6.5	45	4	96	
GN 300.5-63-M6-25-*	63	M 6	25	13.5	17.5	31	6.5	45	4	97	
GN 300.5-63-M6-32-*	63	M 6	32	13.5	17.5	31	6.5	45	4	99	
GN 300.5-63-M6-40-*	63	M 6	40	13.5	17.5	31	6.5	45	4	100	
GN 300.5-63-M6-50-*	63	M 6	50	13.5	17.5	31	6.5	45	4	101	
GN 300.5-63-M6-63-*	63	M 6	63	13.5	17.5	31	6.5	45	4	103	

GN 300.5-With Threaded Stud

STAINLESS STEEL

Description	l1	d1	l2	d3	d4	h1	h2	h3	h4	Stroke	⚖️
GN 300.5-63-M8-16-*	63	M 8	16	13.5	17.5	31	6.5	45	4	98	
GN 300.5-63-M8-20-*	63	M 8	20	13.5	17.5	31	6.5	45	4	99	
GN 300.5-63-M8-25-*	63	M 8	25	13.5	17.5	31	6.5	45	4	101	
GN 300.5-63-M8-32-*	63	M 8	32	13.5	17.5	31	6.5	45	4	103	
GN 300.5-63-M8-40-*	63	M 8	40	13.5	17.5	31	6.5	45	4	105	
GN 300.5-63-M8-50-*	63	M 8	50	13.5	17.5	31	6.5	45	4	106	
GN 300.5-63-M8-63-*	63	M 8	63	13.5	17.5	31	6.5	45	4	113	
GN 300.5-78-M8-20-*	78	M 8	20	16	21	36	8	54	4	157	
GN 300.5-78-M8-25-*	78	M 8	25	16	21	36	8	54	4	159	
GN 300.5-78-M8-32-*	78	M 8	32	16	21	36	8	54	4	161	
GN 300.5-78-M8-40-*	78	M 8	40	16	21	36	8	54	4	164	
GN 300.5-78-M8-50-*	78	M 8	50	16	21	36	8	54	4	167	
GN 300.5-78-M8-63-*	78	M 8	63	16	21	36	8	54	4	170	
GN 300.5-78-M8-80-*	78	M 8	80	16	21	36	8	54	4	175	
GN 300.5-78-M10-20-*	78	M 10	20	16	21	36	8	54	4	161	
GN 300.5-78-M10-25-*	78	M 10	25	16	21	36	8	54	4	163	
GN 300.5-78-M10-32-*	78	M 10	32	16	21	36	8	54	4	166	
GN 300.5-78-M10-40-*	78	M 10	40	16	21	36	8	54	4	168	
GN 300.5-78-M10-50-*	78	M 10	50	16	21	36	8	54	4	176	
GN 300.5-78-M10-63-*	78	M 10	63	16	21	36	8	54	4	183	
GN 300.5-78-M10-80-*	78	M 10	80	16	21	36	8	54	4	190	
GN 300.5-78-M12-20-*	78	M 12	20	16	21	36	8	54	4	165	
GN 300.5-78-M12-25-*	78	M 12	25	16	21	36	8	54	4	168	
GN 300.5-78-M12-32-*	78	M 12	32	16	21	36	8	54	4	174	
GN 300.5-78-M12-40-*	78	M 12	40	16	21	36	8	54	4	180	
GN 300.5-78-M12-50-*	78	M 12	50	16	21	36	8	54	4	187	
GN 300.5-78-M12-63-*	78	M 12	63	16	21	36	8	54	4	195	
GN 300.5-78-M12-80-*	78	M 12	80	16	21	36	8	54	4	207	
GN 300.5-92-M10-20-*	92	M 10	20	19	24	43	11	64	4	247	
GN 300.5-92-M10-25-*	92	M 10	25	19	24	43	11	64	4	250	
GN 300.5-92-M10-32-*	92	M 10	32	19	24	43	11	64	4	254	
GN 300.5-92-M10-40-*	92	M 10	40	19	24	43	11	64	4	258	
GN 300.5-92-M10-50-*	92	M 10	50	19	24	43	11	64	4	264	
GN 300.5-92-M10-63-*	92	M 10	63	19	24	43	11	64	4	269	
GN 300.5-92-M10-80-*	92	M 10	80	19	24	43	11	64	4	280	
GN 300.5-92-M12-20-*	92	M 12	20	19	24	43	11	64	4	252	
GN 300.5-92-M12-25-*	92	M 12	25	19	24	43	11	64	4	257	
GN 300.5-92-M12-32-*	92	M 12	32	19	24	43	11	64	4	262	
GN 300.5-92-M12-40-*	92	M 12	40	19	24	43	11	64	4	267	
GN 300.5-92-M12-50-*	92	M 12	50	19	24	43	11	64	4	273	
GN 300.5-92-M12-63-*	92	M 12	63	19	24	43	11	64	4	284	
GN 300.5-92-M12-80-*	92	M 12	80	19	24	43	11	64	4	295	

* Weight Type AS



Clamping levers